

12

11

10

9

8

7

6

5

4

3

2

1

H

G

F

E

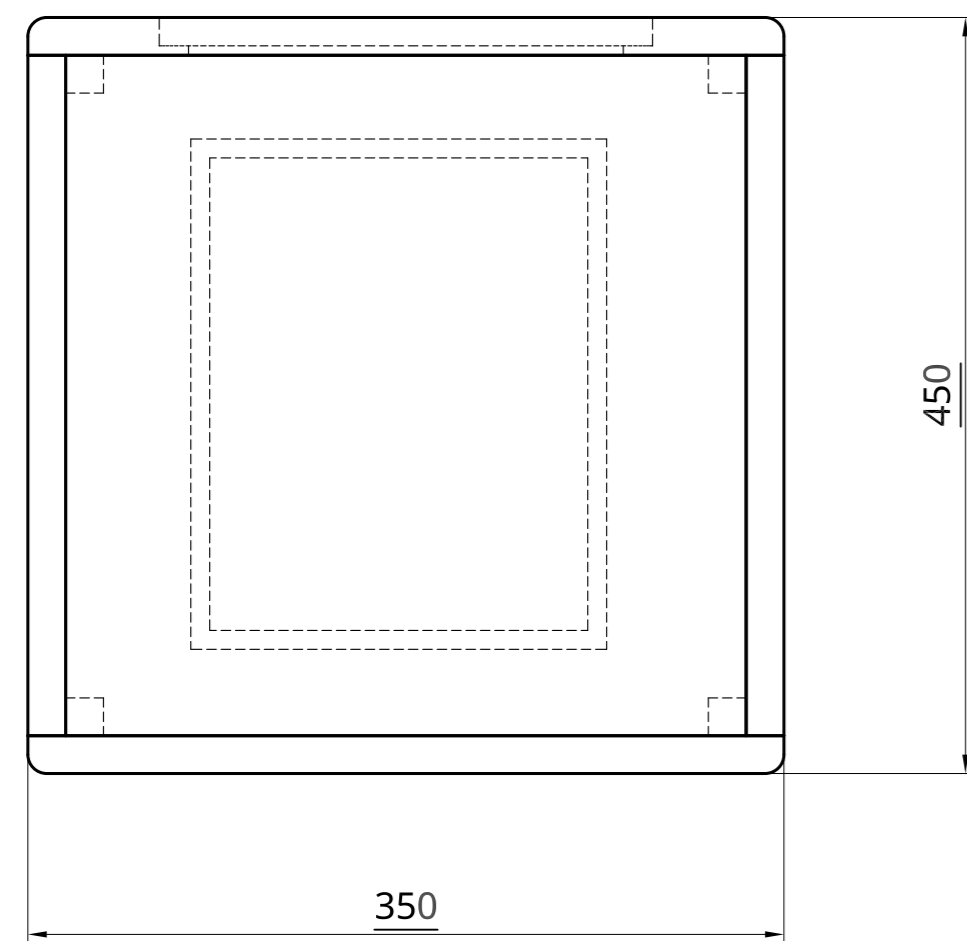
D

C

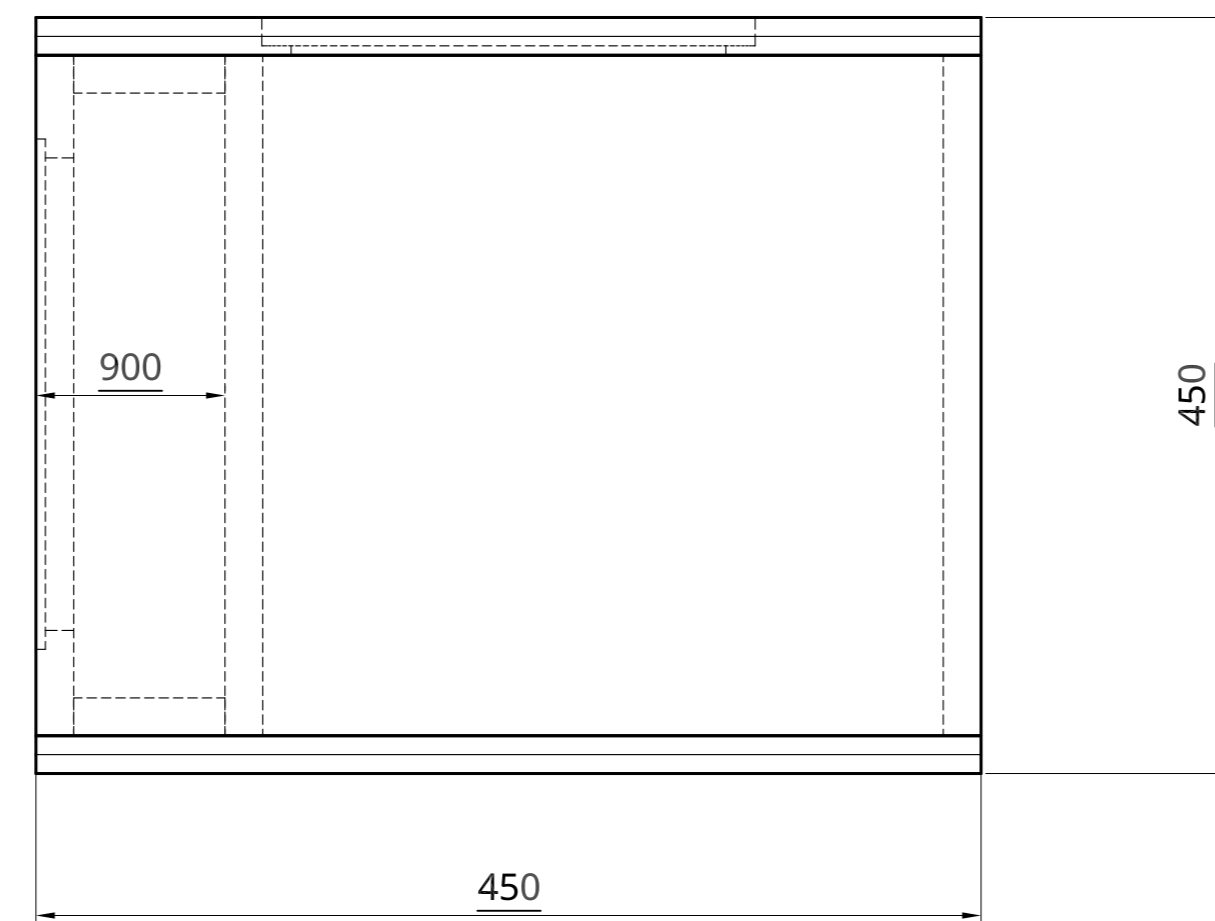
B

A

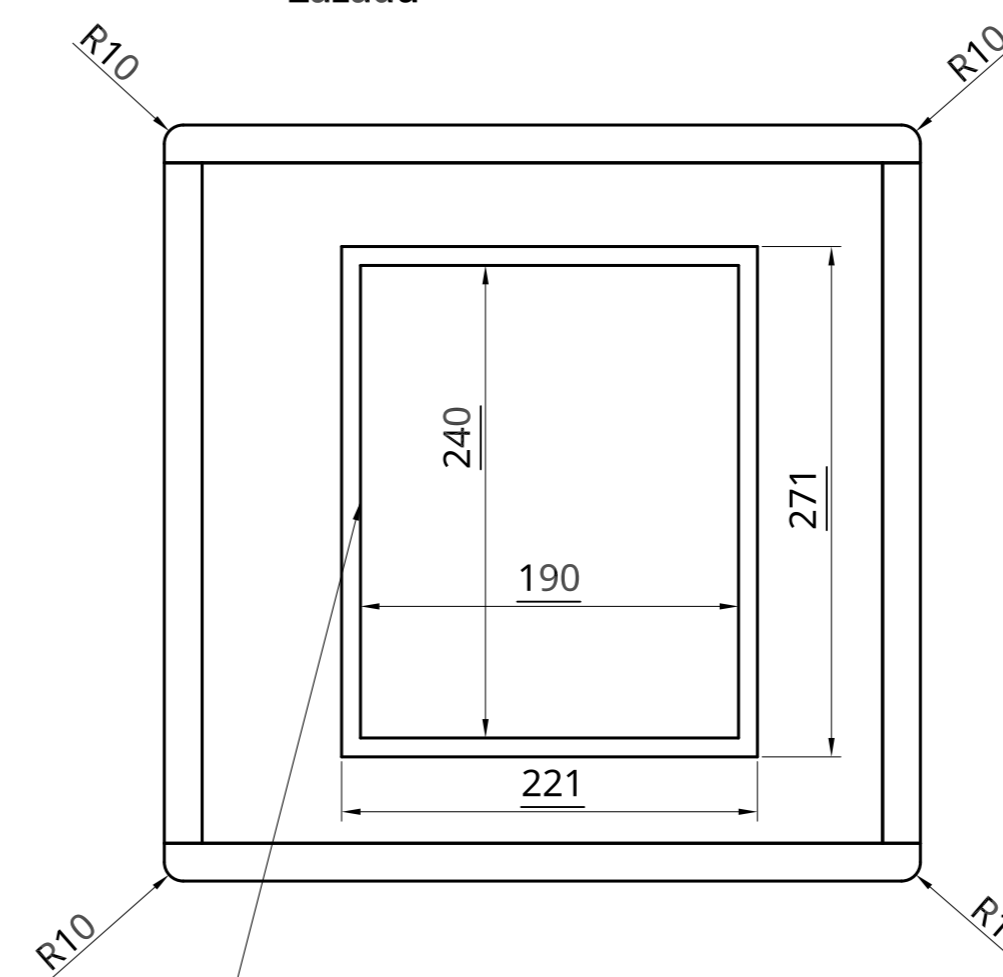
Zepredy



Z boku

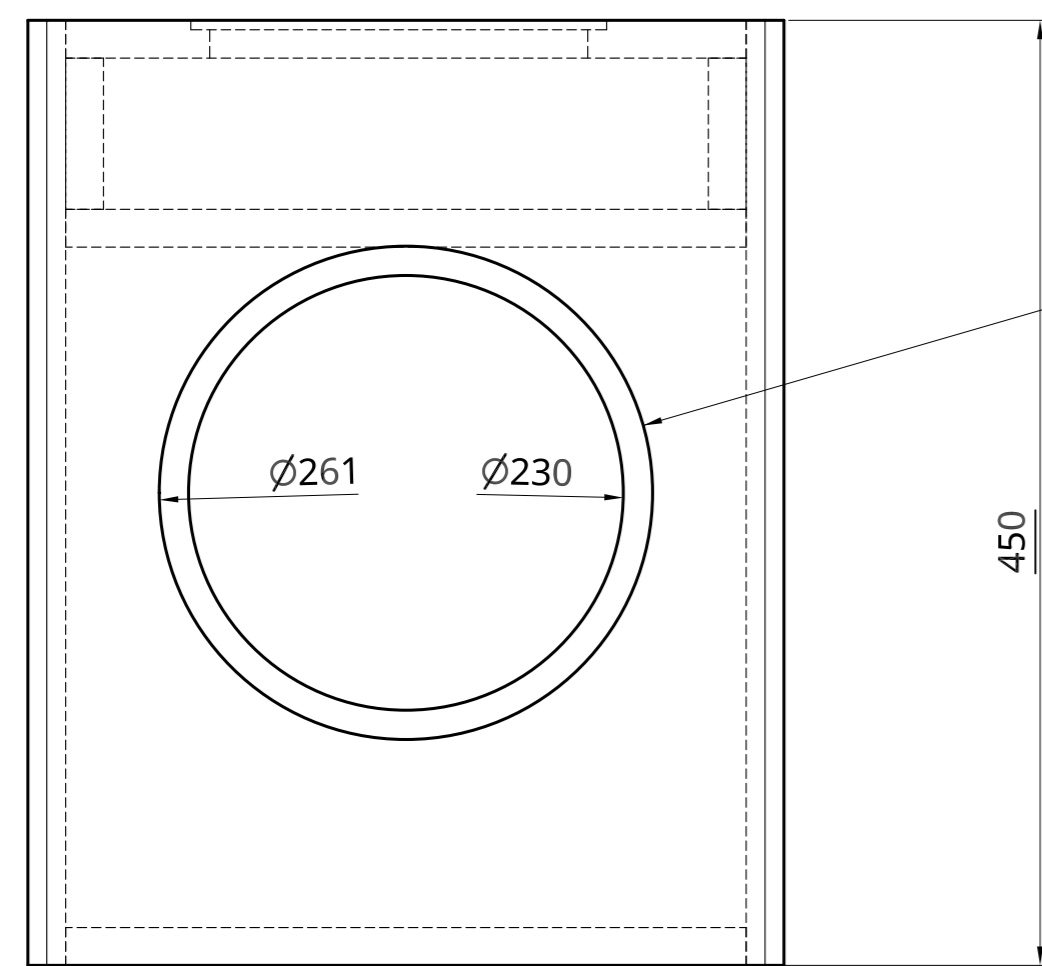


Zazadu

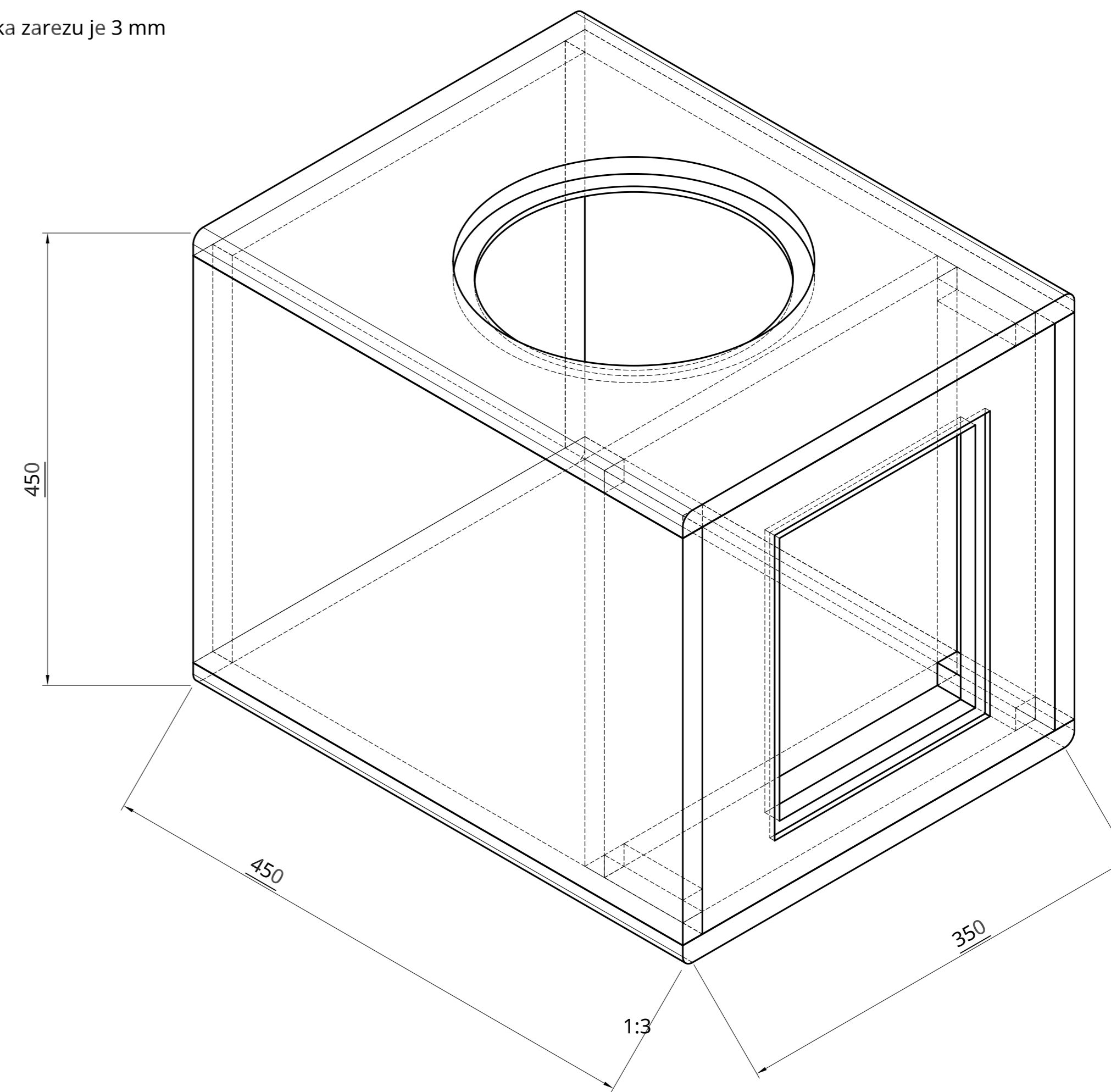
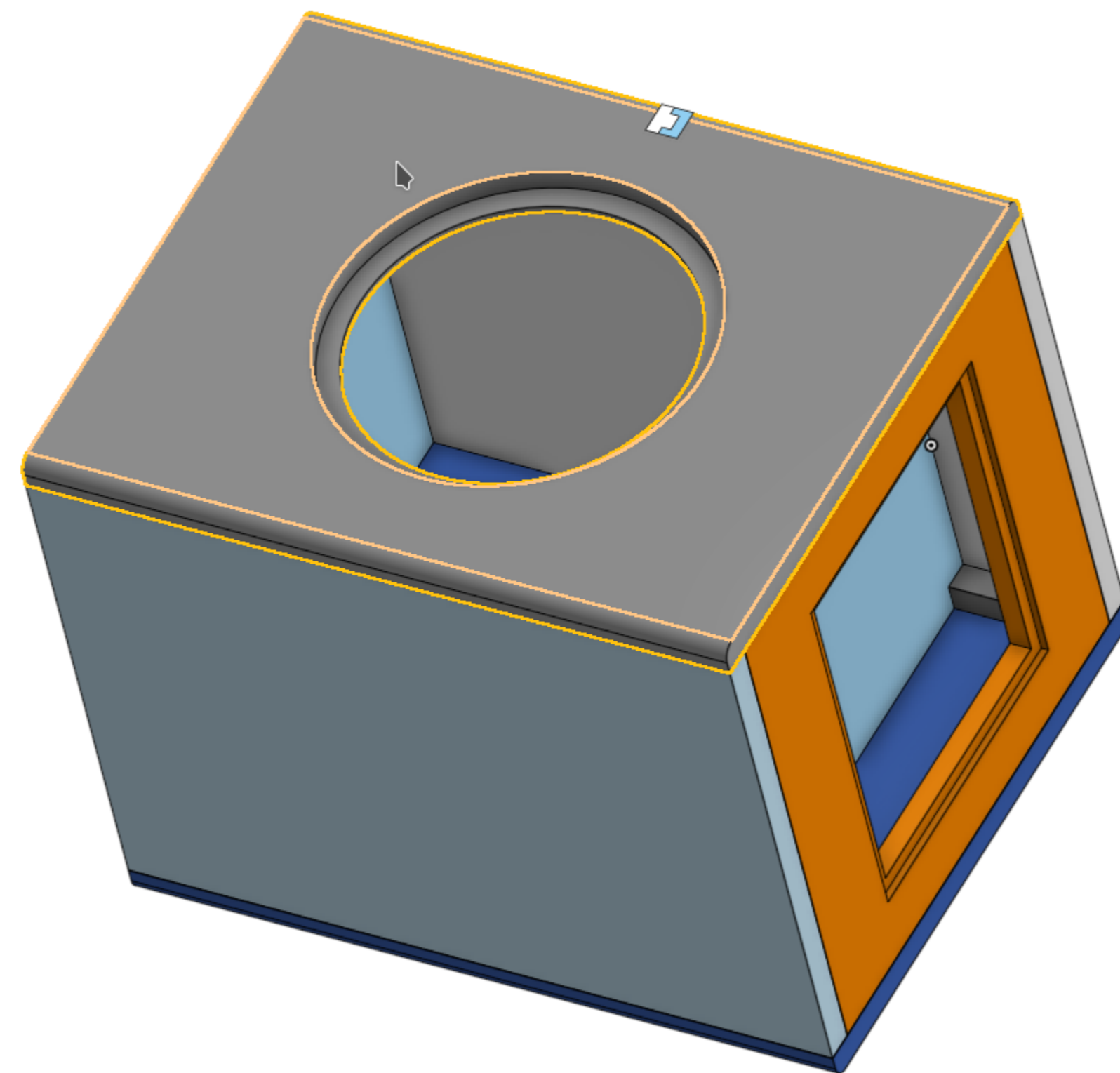


Hĺoubka zarezu je 3 mm

Zespoda



Hĺoubka zarezu je 15 mm
Tady by to chtelo z vnitrni strany vyztuzit nejakym 20 mm kruhem



| | | | | | |
|---|--|----------------------------|-----------|------------|----------------------|
| UNLESS OTHERWISE SPECIFIED, DIMENSIONS ARE IN MILLIMETERS | | NAME | SIGNATURE | DATE | TITLE Prototype 1 |
| ANGULAR = ± ° | | DRAWN Semant SOUND LABS | | 2019-12-30 | |
| SURFACE FINISH | | CHECKED | | | |
| DO NOT SCALE DRAWING | | APPROVED | | | |
| BREAK ALL SHARP EDGES AND REMOVE BURRS | | | | | SIZE A1 |
| FIRST ANGLE PROJECTION | | MATERIAL | FINISH | | DWG NO. |
| | | | | | SCALE 1:4 |
| | | | | | WEIGHT |
| | | | | | SHEET 1 of 1 |

12

11

10

9

8

7

6

5

4

3

2

1

H

G

F

E

D

C

B

A